

# NOSLER<sup>®</sup> M21 CARBON

— 2024 LIMITED EDITION RIFLE —



## HANDBOOK

Serial #

This Manual Applies To The Nosler  
M21 Carbon Rifle Only

Rev. 11/5/2024 ©2024 by Nosler, Inc. all rights reserved

## Congratulations On Your New Nosler M21 Carbon 2024 Limited Edition Rifle!

Top quality rifles are nothing new for the staff at Nosler. We have been chambering barrels and assembling barreled actions to test the accuracy of our bullets for over 60 years, and along the way, we have built some outstanding hunting rifles. All of this background has brought us to what we believe is the premier hunting rifle. Your new Nosler isn't just another pretty rifle. It comes with a long list of quality features like our blueprinted action, a hand-lapped match grade barrel, custom tuned trigger, top-of-the-line glass bedded stock, and an all-weather ceramic finish for the metal work. My son John and I have personally tested our rifles in the toughest conditions from Africa to Alaska, so we know you will be completely satisfied with the craftsmanship, function, and accuracy.

*Good hunting, and always keep your new rifle pointed in a safe direction.*



### INDEX

- 2-4. Basic Safety Rules
- 5-7. Rifle Features
- 8. Trigger adjustment
- 9-10. Cleaning the Rifle
- 11-13. Disassembling and Reassembling the Rifle
- 13-14. Loading and Unloading the Rifle
- 14-15. Maintaining the Rifle
- 15-16. Additional Information
- 16-18. Warranty Registration

## BASIC SAFETY RULES

### 1. MUZZLE CONTROL

Never point the muzzle of a firearm at any part of your body, or at another person. This is especially important when loading or unloading the firearm. When you are shooting at a target, know what is behind it. Some bullets travel over a mile. If you miss your target or if the bullet penetrates the target, it is your responsibility to ensure that the shot does not cause unintended injury or damage. **ALWAYS BE SURE OF YOUR BACKSTOP.**

### 2. ALWAYS TREAT A FIREARM AS IF IT WERE LOADED.

Never assume that a firearm is unloaded. The only certain way to ensure that a firearm is empty is to open the chamber and visually examine the inside to see if a round is present. **IF YOU ARE HANDED A FIREARM TO ADMIRE OR EXAMINE, ALWAYS OPEN THE ACTION AND VERIFY THAT THE CHAMBER AND MAGAZINE ARE EMPTY. WHEN HANDING OFF A FIREARM, OPEN THE ACTION BEFORE PASSING IT TO THE NEXT PERSON.**

### 3. STORE YOUR FIREARM SO THAT CHILDREN CANNOT GAIN ACCESS TO IT.

It is your responsibility to ensure that children under the age of 18 (or other unauthorized persons) do not gain access to your firearm. To reduce the risk of accidents involving children, unload your firearm, lock it and store the ammunition in a separate locked location. Please note that devices intended to prevent accidents may not prevent misuse of your firearm by a determined person. Steel gun safes may be more appropriate to reduce the likelihood of intentional misuse of a firearm by an unauthorized child or person.

### 4. NEVER SHOOT AT WATER OR AT A HARD SURFACE.

Shooting at the surface of water or at a rock (or other hard surfaces) increases the chance of ricochets or fragmentation of the bullet, which can result in the projectile striking an unintended target.

**5. KNOW THE SAFETY FEATURES OF THE FIREARM YOU ARE USING, BUT REMEMBER THAT SAFETY DEVICES ARE NOT A SUBSTITUTE FOR SAFE HANDLING PROCEDURES.**

Never rely solely on a safety device to prevent an accident. It is imperative that you know and use the safety features of the particular firearm you are handling, but accidents can best be prevented by following the safe handling procedures described in these safety rules and elsewhere in the product manual. **IF YOU ARE NOT FAMILIAR WITH FIREARMS OR PROPER FIREARMS SAFETY, TAKE A FIREARMS SAFETY COURSE.**

**6. PROPERLY MAINTAIN YOUR FIREARM.**

Store and carry your firearm so that dirt or lint does not accumulate in the working parts. Clean and oil your firearm, following the instructions provided in this manual, after each use to prevent corrosion, damage to the barrel or accumulation of impurities. **ALWAYS MAKE SURE THE BARREL IS CLEAN AND FREE OF OBSTRUCTIONS BEFORE LOADING THE FIREARM.**

**7. USE PROPER AMMUNITION.**

Only use ammunition manufactured (or handloaded) to industry specifications: CIP (Europe and elsewhere), SAAMI (U.S.A.). The caliber of the firearm is clearly marked on the barrel of the rifle. **BE CERTAIN THAT EACH ROUND YOU USE IS IN THE PROPER CALIBER AND TYPE FOR THE PARTICULAR FIREARM.**

**8. ALWAYS WEAR PROTECTIVE GLASSES AND HEARING PROTECTION WHEN SHOOTING.**

The chance that gas, gunpowder or metal fragments will blow back and injure a shooter who is firing a gun is slight, but the injury that can be sustained in such circumstances can be severe, including the possible loss of eyesight. Hearing Protection helps reduce the chance of hearing damage from shooting. **ALWAYS WEAR IMPACT RESISTANT SHOOTING GLASSES WHEN FIRING ANY FIREARM.**

**9. NEVER CLIMB TREES, FENCES OR OBSTRUCTIONS WITH A LOADED FIREARM.**

Open and empty the chamber of your firearm before climbing or descending a tree, climbing through or over a fence, or jumping over a ditch or obstruction. Never pull or push a loaded firearm toward yourself or another person.

**10. NEVER USE ALCOHOLIC BEVERAGES OR JUDGMENT / REFLEX IMPAIRING MEDICATION WHEN SHOOTING.**

Do not drink and shoot. If you take medication that can impair motor reactions or judgment, do not handle a firearm while you are under the influence of the medication. **IN OUR HUNTING CAMPS, THE ALCOHOL DOESN'T COME OUT UNTIL THE FIREARMS HAVE BEEN PUT AWAY FOR THE DAY.**

**11. NEVER TRANSPORT A LOADED FIREARM.**

Always unload your firearm before putting it in a vehicle. Hunters and target shooters should load their firearm only when ready to shoot.

**12. LEAD WARNING.**

Discharging firearms in poorly ventilated areas, cleaning firearms, or handling ammunition may result in exposure to lead and other substances known to cause birth defects, reproductive harm, and other serious physical injury. Have adequate ventilation at all times. Wash hands thoroughly after exposure.

## Cocking Indicator and Safety Lever

The Model 21 bolt is equipped with a cocking indicator which is a small silver pin that protrudes from the end of the cocking piece when the bolt is cocked.

In this image, the cocking indicator can be seen protruding from the rear of the bolt indicating that the bolt is cocked. The safety lever is in the rearward "safe" position which blocks the trigger, preventing the trigger from being pulled.



**Safety Lever In Rearward "Safe" Position**

## Cocking Indicator and Safety Lever

In this image, the cocking indicator is protruding from the rear of the bolt indicating that the bolt is cocked. The safety lever is in the forward "fire" position indicating that the rifle can and will fire if the trigger is pulled.



**Safety Lever In the Forward "Fire" Position**

## Cocking Indicator and Safety Lever

In this image, the cocking indicator is visible, but as it is not protruding from the rear of the cocking piece, this indicates that the bolt is at rest. (compare to image on previous page)



## TriggerTech Trigger

The Nosler 2024 Limited Edition M21 Carbon Rifle comes equipped with a TriggerTech Diamond Gold-Edition trigger that is externally adjustable via set-screw. Triggers come factory tuned, but should you wish to adjust the pull weight of your trigger, follow the steps below.



1. Ensure that the rifle is unloaded and pointed in a safe direction
2. Rest the rifle upside down or on its side on a table or bench.
3. Locate the small silver set-screw immediately in front of the trigger
4. Using the included 5/64" Allen wrench, turn the set screw clockwise to increase the pull weight. Turn the screw counter clockwise to reduce the pull weight.

**Note:** The TriggerTech Diamond trigger is adjustable between a range of 4oz. to 32oz. Do not attempt to disassemble the trigger, or adjust beyond this range.

## RIFLE CLEANING

### TO CLEAN THE BARREL

1. Point the muzzle in a safe direction.
2. Move the safety mechanism to the "Safe" position and check that all cartridges have been removed from the chamber and magazine.
3. Use the equipment provided in a good quality cleaning kit.
4. Remove the bolt assembly. See instructions #1 through #6 (Removing the Bolt Assembly) on page 10.
5. Select the correct caliber cleaning brush and attach the brush to the cleaning rod.
6. Apply gun cleaning solvent to the cleaning brush.

**THE BARREL SHOULD LAY HORIZONTALLY DURING CLEANING.  
ALWAYS CLEAN THE BARREL FROM THE CHAMBER END TO THE MUZZLE.**

7. Push the brush through the barrel several times.
8. Remove brush from rod, attach tip with patch and push through bore.
9. Repeat several times, using a new cleaning patch each time, until the patch comes out clean.
10. Push a clean patch saturated with gun oil through the barrel.
11. Use clean, dry patches to remove excess oil from the chamber area and the interior surfaces of the barrel.

### RIFLE CLEANING TO CLEAN THE RECEIVER AND TRIGGER ASSEMBLY

1. Point the muzzle in a safe direction.
2. Move the safety mechanism to the "Safe" position and check that all cartridges have been removed from the chamber and magazine.

3. Remove the bolt, refer to instructions #1 through #6 of "Removing the Bolt Assembly" below.
4. Scrub all areas of the chamber and receiver with solvent to remove any residue.
5. Once cleaned, wipe all parts with a clean rag to remove any solvent or residue.

## DISASSEMBLING THE RIFLE

### REMOVING THE BOLT ASSEMBLY

1. Point the muzzle in a safe direction.
2. Move the safety mechanism to the "Safe" position.
3. Raise the bolt handle.
4. Pull the bolt handle all the way back.
5. Push the bolt stop release on the left hand side of the receiver
6. Pull the bolt assembly from the firearm.

## DISASSEMBLING THE BOLT

Removing the firing pin assembly from the cocked position, Figure 1:

With the bolt shroud facing you, rotate the shroud and firing pin assembly 90deg. Clockwise. Firing pin assembly will pop out as shown in Figure 2.

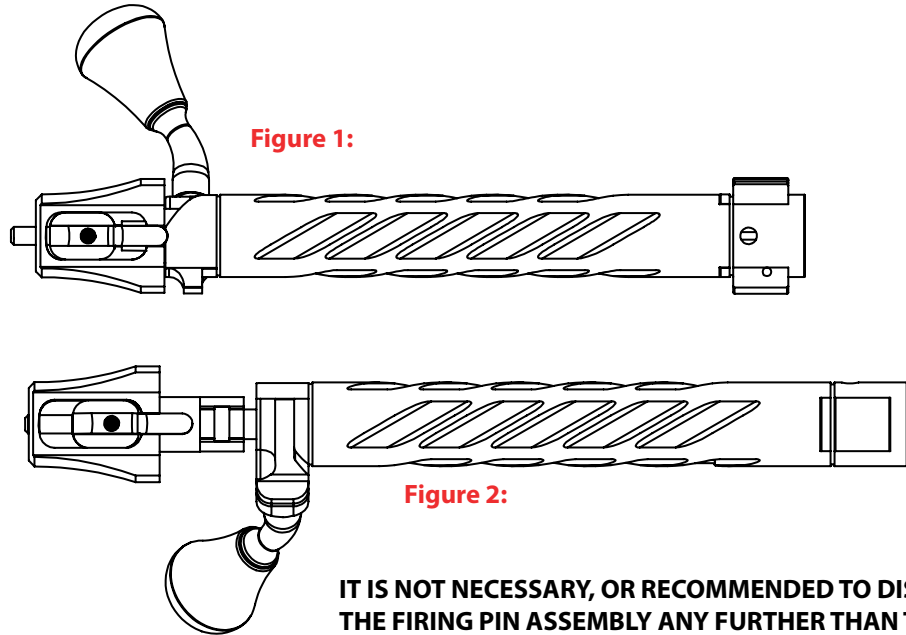


Figure 1:

Figure 2:

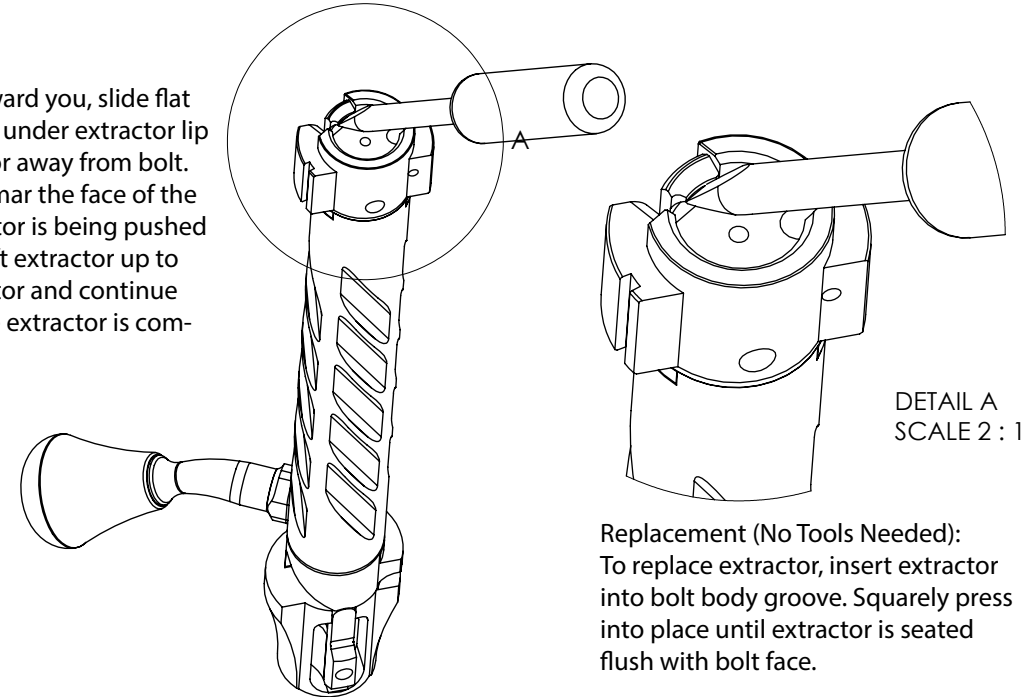
**IT IS NOT NECESSARY, OR RECOMMENDED TO DISASSEMBLE THE FIRING PIN ASSEMBLY ANY FURTHER THAN THIS.**

## REMOVING THE EXTRACTOR

Removing the extractor is not necessary for normal routine cleaning, however, it can be easily removed if you wish to deep clean your bolt.

### Removal:

With bolt face toward you, slide flat head screw driver under extractor lip and push extractor away from bolt. Be careful not to mar the face of the bolt. While extractor is being pushed away from bolt, lift extractor up to unseat the extractor and continue lifting up until the extractor is completely removed.



DETAIL A  
SCALE 2 : 1

Replacement (No Tools Needed):  
To replace extractor, insert extractor into bolt body groove. Squarely press into place until extractor is seated flush with bolt face.

## BOLT ASSEMBLY

1. Hold the bolt shroud in the right hand, and the bolt body in the left.
2. Push the firing pin and bolt shroud assembly into the bolt body.
3. Turn the bolt shroud counter clockwise while pushing it into the bolt body.
4. The bolt shroud will snap into place.
5. With the bolt handle in the up position, push the bolt into the receiver.

## LOADING THE RIFLE

### LOADING PROCEDURES:

**CAUTION: BEFORE LOADING, BE SURE YOU HAVE THE CORRECT AMMUNITION, AND MAKE SURE THAT ALL GREASE AND OIL HAS BEEN REMOVED FROM THE BARREL AND CHAMBER, AND THAT THERE ARE NO OBSTRUCTIONS.**

1. Point the muzzle in a safe direction.
2. With the safety in the "Safe" position, lift the bolt handle and pull the bolt back all the way. Lay a cartridge in the receiver just forward of the bolt face. Press the cartridge down with your thumb until it snaps into the magazine. Make sure each cartridge is seated against the rear of the magazine box before attempting to insert the next cartridge, as the tip of the bullet may hang up on the feed ramp as it is pushed down into the magazine.
3. Press each succeeding cartridge similarly into the magazine. Maximum capacity is 3 or 4 rounds depending on caliber. Do not attempt to load more rounds in the magazine than it is designed to hold.
4. With the magazine loaded to capacity, an additional cartridge may be placed directly into the chamber only when you are ready to fire. This is done by opening the action, inserting a round in the chamber, and pressing down on the top cartridge in the magazine as the bolt is closed.

**TO AVOID ACCIDENTAL DISCHARGE, DO NOT CARRY A FIREARM WITH A CARTRIDGE IN THE CHAMBER.**

## UNLOADING THE RIFLE

### UNLOADING PROCEDURE:

1. Point the muzzle in a safe direction.
2. With the safety in the "Safe" position, raise the bolt handle. Place one hand over the ejection port, and pull the bolt handle back with the other hand to remove the cartridge from the chamber.
3. To empty the magazine, the magazine floor-plate will swing open allowing the cartridges to fall free.

**ALWAYS VISUALLY CHECK THAT YOUR RIFLE IS NOT LOADED. DO THIS WITH THE ACTION OPEN AND THE BOLT FULLY TO THE REAR, BY LOOKING DIRECTLY INTO THE CHAMBER AND MAGAZINE.**

## MAINTENANCE

By following the few simple maintenance procedures listed below, your Nosler® rifle should provide many years of trouble-free service.

1. Use only the best quality gun oil which can clean, protect and lubricate. Place a light drop of high quality oil on the rear of each locking lug and on the camming ramp for the firing pin.
2. Corrosion can begin within 24 hours if the rifle is not cleaned after firing. This is especially true in damp conditions.
3. At least once a year, check to ensure the tightness of all screws including the stock and receiver screws.
4. If you notice any changes in the functioning of your firearm, STOP SHOOTING IMMEDIATELY! You should contact Nosler if you experience any occurrences similar to the following:

**-The functioning of the trigger mechanism has changed.**

**-The rifle does not fire the cartridge (misfires).**

**-The safety does not operate.**

**-There is any cartridge malfunction, such as leaking gas, a punctured primer, a bulged or ruptured case or a different sound when firing.**

**CAUTION! IN THE CASE OF A MISFIRE, POINT THE RIFLE IN A SAFE DIRECTION, MOVE THE SAFETY LEVER TO THE “SAFE” POSITION, AND WAIT 30 SECONDS BEFORE OPENING THE BOLT. THE BOLT SHOULD BE OPENED WITH EXTREME CARE.**

5. When loosening or tightening screws, take care that the driver bit is the appropriate size and shape so as not to damage the screw heads and the general appearance of the rifle.

**DO NOT SEND YOUR RIFLE TO NOSLER WITHOUT PRIOR AUTHORIZATION.**

If you have any problem with your new Nosler Rifle, please contact our Customer Satisfaction Department at 800-285-3701. Our representative can help with information that will make the use of your new Nosler rifle more enjoyable, or assist you with the best way to return the rifle for service. **IN THE EVENT THAT SERVICE IS NECESSARY, NOSLER, INC. HAS A LISTING OF STANDARD PARTS, LABOR AND FREIGHT CHARGES— PLEASE CALL FOR ESTIMATES.** Our Customer Satisfaction Department is available 8:00 AM until 4:30 PM (Pacific Time), Monday through Friday. Customer Satisfaction is usually closed on all legal holidays.

**Our shipping address:**

**Nosler, Inc.  
107 SW Columbia Street  
Bend, Oregon 97702**

**WARNING**

If your rifle is fitted with a muzzle-brake, make sure to wear adequate hearing protection when shooting! Muzzle-brakes dramatically increase the audible report of the rifle and WILL damage your hearing if you are not protected. Be considerate of those around you when firing your rifle as to not damage their hearing as well.

**When cleaning, use these simple instructions:**

**DO:**

- Use a quality one-piece cleaning rod.
  - Use a bore guide.
  - Clean from chamber end only.
1. Clean powder residue from bore using a solvent like Shooter’s Choice™ or Butch’s Bore Shine™ following instructions on bottle.
  2. Follow with a copper remover like Montana X-Treme™ Copper Killer to remove copper fouling. Instructions on bottle work the best.
  3. Follow with a second group of patches coated in Shooter’s Choice™, Butch’s Bore Shine™, or similar solvent, then finish with dry patches until all solvent is removed from the bore.
  4. Finish with a patch lightly coated with gun oil such as Tetra Gun Oil™ or Montana X-Treme Bore Conditioner Accuracy Gun Oil™. Shooting a dry bore will greatly promote copper fouling.

**DO NOT:**

- Use a stainless Steel bore brush.
- Leave strong ammonia cleaning products in your bore for extended periods of time – additionally, do not allow solvents to contact stock as it can remove the finish.

**Scope Mount Information**

Nosler recommends using a high-quality set of Cross-slot/Weaver, or 1913 Picatinny style rings with the included bases for best performance.

**Nosler Rifle Warranty**

I. Given Proper Care, your Nosler Rifle will provide a lifetime of service. We will review all warranty claims on a case by case basis to determine the cause of an issue. Any defects in materials or workmanship discovered within 5 years of the original purchase date will be corrected by Nosler free from charge. Any repairs needed as a result of customer negligence, wear from normal usage, or abuse can be repaired by Nosler staff for minimal

cost, a listing of standard repair charges is available upon request. The Nosler Rifle Warranty will become void if the firearm is found altered in any way. If a warranty issue is suspected, please contact Nosler Customer Support. **See pg. 15 for instructions.**

II. All Nosler Rifles carry a guarantee for accuracy performance. We will support that guarantee for 30 days after the rifle has been picked up, provided the following criteria are met:

- a. The rifle is fitted with a high quality rifle scope.
- b. The rifle is fired using the prescribed Nosler Ammunition.

If the rifle has not fired a group within the stated guarantee during this 30 day period, please contact Nosler Customer Support. We will determine if the rifle should be returned for inspection.

III. **DO NOT** return the firearm to the dealer you purchased or picked up your rifle from. Call Nosler Customer Support first.

IV. Nosler Inc. is not responsible for damage during return shipments.

V. In no event shall Nosler Inc. be liable for consequential damages. Some states do not allow the exclusion or limitation of incidental or consequential damages, so the above limitation or exclusions may not apply to you. The limited warranty gives you specific legal rights, and you may also have other rights, which vary from state to state.

a. This warranty specifically excludes the cost of trips to the range, hunting trips, airfare, gasoline, guide fees, licenses, tags, ammunition, or any other related expenses.

**Important information for foreign customers:**

Due to the complexity of export/import rules between the United States of America and other countries, rifles that are sold outside the U.S.A. are sold "as is", and are not covered by all portions of Nosler's Limited Warranty. Please contact us directly and we will assist you if possible.

Cut Here

## Warranty Registration

Model \_\_\_\_\_

Serial Number \_\_\_\_\_

Caliber \_\_\_\_\_

Name \_\_\_\_\_

Street Address \_\_\_\_\_

City \_\_\_\_\_ State \_\_\_\_\_ Zip Code \_\_\_\_\_

Phone Number ( ) \_\_\_\_\_ Email \_\_\_\_\_

Date of Purchase \_\_\_\_\_

Place of Purchase \_\_\_\_\_

Please Return To:

**Nosler Registration**

Nosler, Inc.

P.O. Box 671

Bend, OR 97709

Nosler, Inc.  
P.O. Box 671  
Bend, OR 97709